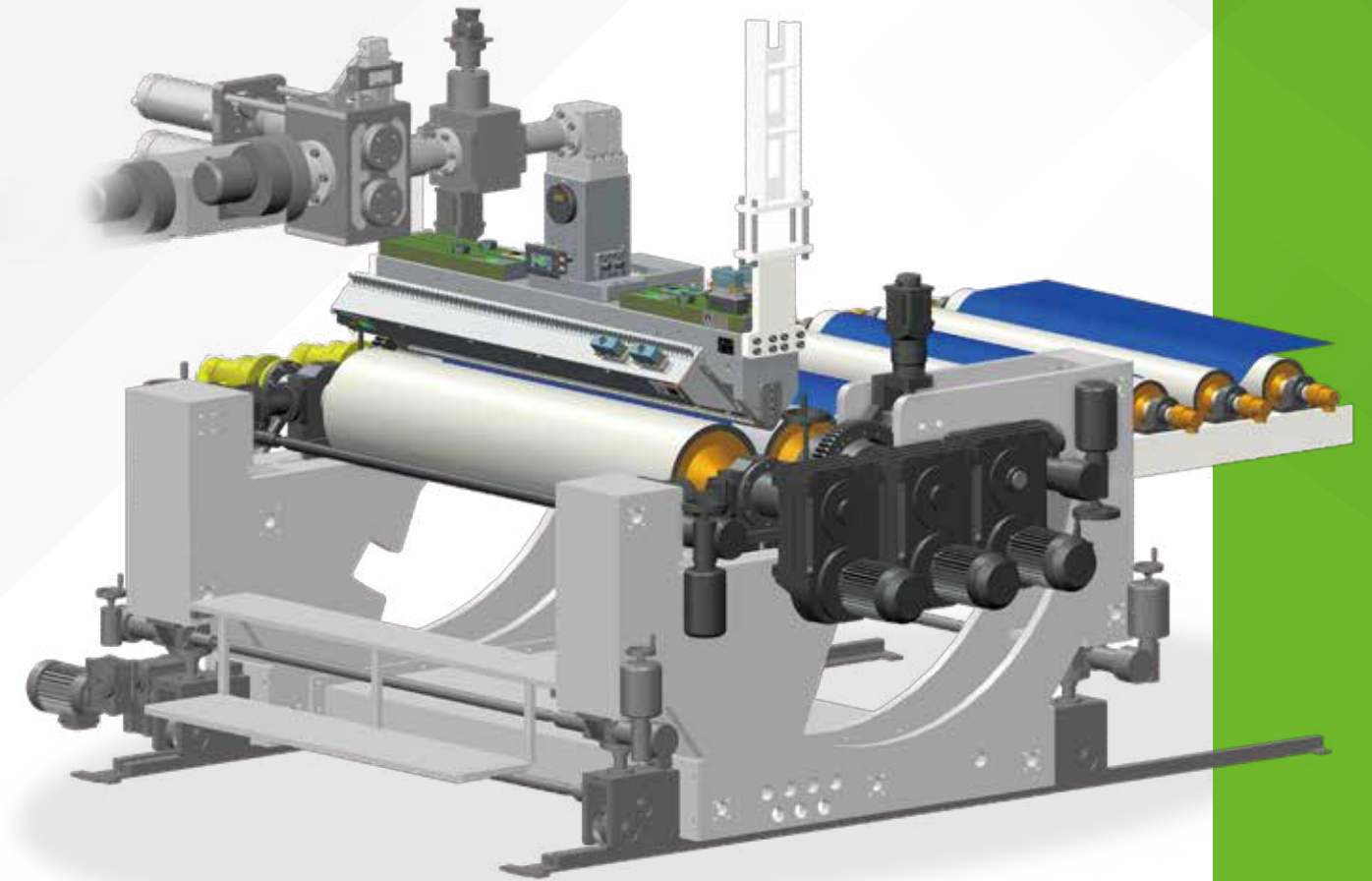




SHEET PLATE & FILM



JWELL 苏州金纬片板膜智能装备有限公司
CHINA JWELL INTELLIGENT MACHINERY CO., LTD.

地址: 江苏省苏州市太仓城厢工业园东安路18号 邮编(p.c): 215400

传真 (Fax): 0512-53377399 电话: 0512-53377158 13962629288

Add: No.18, Dong'an Road, Chengxiang Industrial zone, Taicang, Suzhou city, China 215400

Fax: 86-512-53377399 Tel: +86-512-53377158 +86-13962629288

Http://www.jwell.cn

E-mail: sales@jwell.cn

Http://www.chinajwell.com

Complaint E-mail: info@jwell.cn



苏州金纬片板膜智能装备有限公司
CHINA JWELL INTELLIGENT MACHINERY CO., LTD.

SHEET, PLATE&FILM EQUIPMENT

苏州金纬片板膜智能装备有限公司是上海金纬公司的又一重要发展战略中心，其坐落于苏州市太仓城厢工业园，是一家致力于塑料挤出成型设备的研发、制造的高科技厂家。厂区占地面积300余亩，公司拥有职工1000余人，其中技术管理人员280多名；公司拥有一支高素质的研发队伍和经验丰富的机械、电气调试工程师团队，以及先进的机械加工基地和规范的装配车间。每年生产1000多(台)套高档的塑料挤出生产线。公司本着“用心持久、拼搏创新”的企业精神，不断探求挤出新领域的开拓。热烈欢迎国内外新老客户莅临我司参观、指导、合作、我们愿为您提供强有力的支持。

China JWELL Intelligent Machinery Co., Ltd. is another development strategy center of Shanghai JWELL Machinery Co.,Ltd. Locating at Chengxiang Industrial town Taicang city, a high-tech manufacturer specializing in research and development of plastic extrusion equipment. The factory area is of 300 acres, more than 1000 staff and 280 technical and management employees;We have a high qualified R&D and experienced mechanical and electrical engineer team as well as advanced processing foundation and normative assembly shop. We supply more than 1000 high class (sets)lines annually . Our enterprise spirit is "Attentive, Enduring, Quick and Orderly" , keeping on exploring of new extrusion field. Warmly welcome new and old customers to visit us for investigation, guidance and cooperation. We are happy to offer powerful support for you!



公司产品已遍布全国各地，并出口到德国、俄罗斯、意大利、西班牙、日本、印度、韩国、印尼、中东、非洲和南美洲等100多个国家和地区，深受客户好评。

Our customers are all over China, and we have customers in Germany, Russia, Italy, Spain,Japan, India, Korea, Indonesia, Middle East, South America and other countries and areas. Our machines are well accepted by our customers.

“品质卓越 完美如一”

是金纬公司的质量方针，是全体员工努力的方向。

" Excellent Quality, Perfect All" is Jwell's quality policy, and all staff's working direction.

“诚实待人”

是我们铸就“百年金纬”的核心理念。

" Be honest" is the core idea for us to contribute " Century JWELL"

董事长：何海潮

Email: he@jwell.cn

President:He Haichao Mobile/WhatsApp +86 13601628188



TPU流延复合生产线

TPU Casting Composite Film Production Line

TPU复合面料就是用TPU薄膜复合在各种面料上形成一种复合材料，结合两者的特性得到一种新型面料，应用于服装鞋材、运动健身器材、充气玩具等各种在线复合类型的材料。

本生产线采用一步法流延复合方式，生产线具备高速自动化功能，实现单面或双面在线复合成型方式，取代传统线下二次、三次的复合的形式，减少产品生产作业工序，大幅降低生产成本和提高生产效率，同时也提高了复合强度和产品质量。

TPU composite fabric is a kind of composite material formed by TPU film composite on various fabrics. Combined with the characteristics of the two different materials, a new fabric is obtained, which can be used in various online composite materials such as clothing and footwear materials, sports fitness equipment, inflatable toys, etc.

The production line adopts one-step casting and laminating mode. The production line has high-speed automation function, and realizes single-sided or double-sided online composite forming mode, replacing the traditional offline two-step and three-step composite forming mode, reducing product production process, greatly reducing production cost and improving production efficiency, and at the same time improving composite strength and product quality.



主要技术参数 Main technical parameter

| 机型 Model | 制品宽度 Products width(mm) | 制品厚度 Products thickness(mm) | 设计挤出产量 Capacity(kg/h) |
|--------------|----------------------------|--------------------------------|--------------------------|
| JWS120/36 | 1000-3000 | 0.02-2.0 | 200-300 |
| JWS120+JWS75 | 1000-3000 | 0.02-2.0 | 250-350 |
| JWS130/36 | 1000-3000 | 0.02-2.0 | 300-400 |
| JWS150/36 | 1000-3000 | 0.02-2.0 | 400-500 |

备注：以上规格参数如有变更，恕不另行通知。Note: The specifications are subject to change without prior notice.

TPU薄膜生产线/热熔胶膜生产线

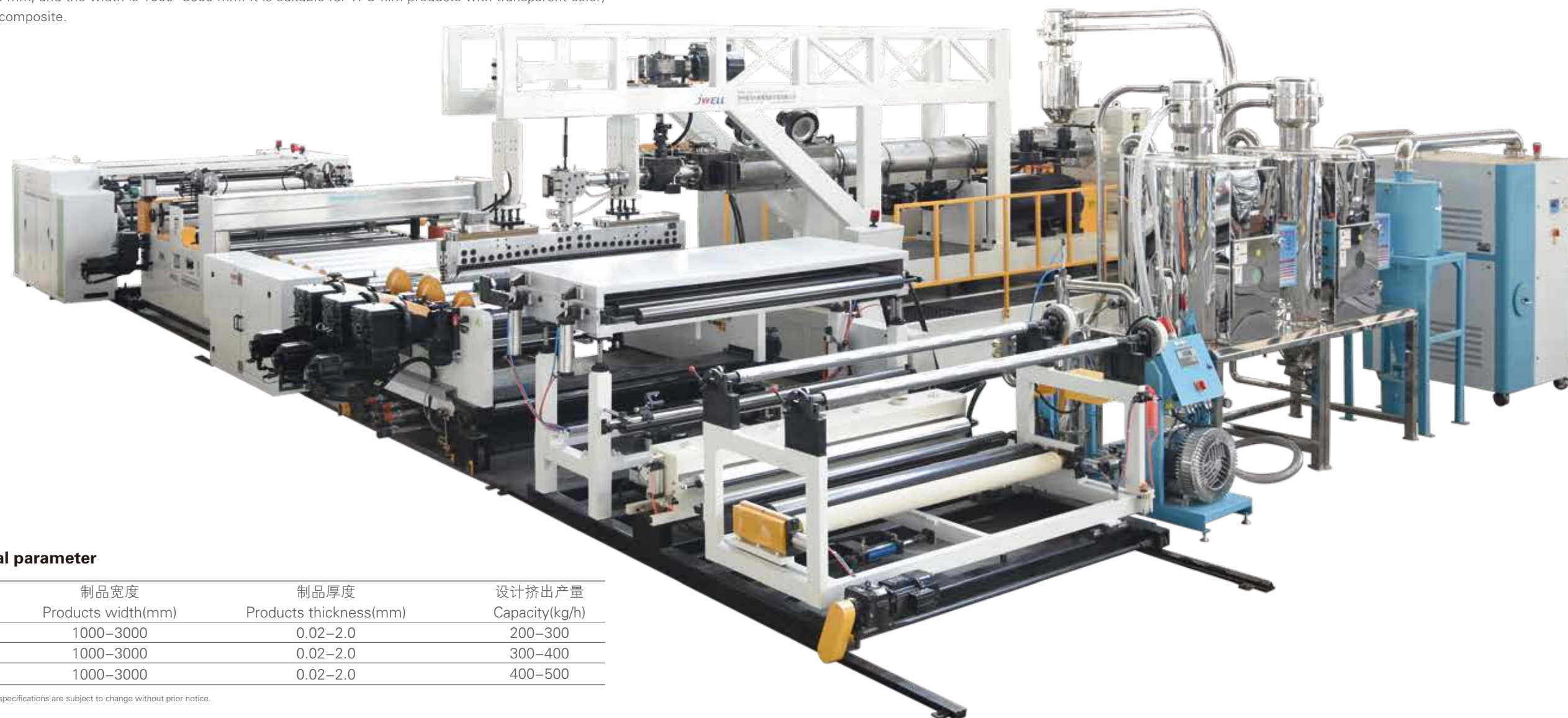
TPU Film Production Line/Hot Melt Film Production Line

TPU材料为热塑性聚氨酯，分为聚酯和聚醚两大类型，TPU薄膜拥有卓越的高张力、高弹性、高耐磨和耐老化的特性，并且具有环保无毒、防霉抗菌、生物相容等优良特性，广泛用于鞋材、成衣、充气玩具、水上及水下运动器材、医疗器械、健身器材、汽车座椅材料、雨伞、箱包、包装材料等，并且也可以应用在光学和军工领域。

本生产线采用高速挤出压延、流延成型方式，产品品质优良可控，产品厚度0.01-2.0mm范围，宽度1000-3000mm，适用于各种颜色透明、磨砂、雾面、多层复合的TPU膜片产品系列。

TPU material is thermoplastic polyurethane, which can be divided into polyester and polyether. TPU film has excellent characteristics of high tension, high elasticity, high wear resistance and aging resistance, and has the excellent characteristics of environmental protection, non-toxic, mildew proof and antibacterial, biocompatibility, etc. It is widely used in shoes, clothing, inflatable toys, water and underwater sports equipment, medical equipment, fitness equipment, car seat materials, umbrellas, bags, packaging materials, and can also be used in optical and military fields.

This production line adopts high-speed extrusion calendering and casting. The product quality is excellent and controllable. The thickness of the product is 0.01-2.0 mm, and the width is 1000-3000 mm. It is suitable for TPU film products with transparent color, frosting, fog surface and multilayer composite.



主要技术参数 Main technical parameter

| 机型 Model | 制品宽度 Products width(mm) | 制品厚度 Products thickness(mm) | 设计挤出产量 Capacity(kg/h) |
|-------------|----------------------------|--------------------------------|--------------------------|
| JWS120/36 | 1000-3000 | 0.02-2.0 | 200-300 |
| JWS130/36 | 1000-3000 | 0.02-2.0 | 300-400 |
| JWS150/36 | 1000-3000 | 0.02-2.0 | 400-500 |

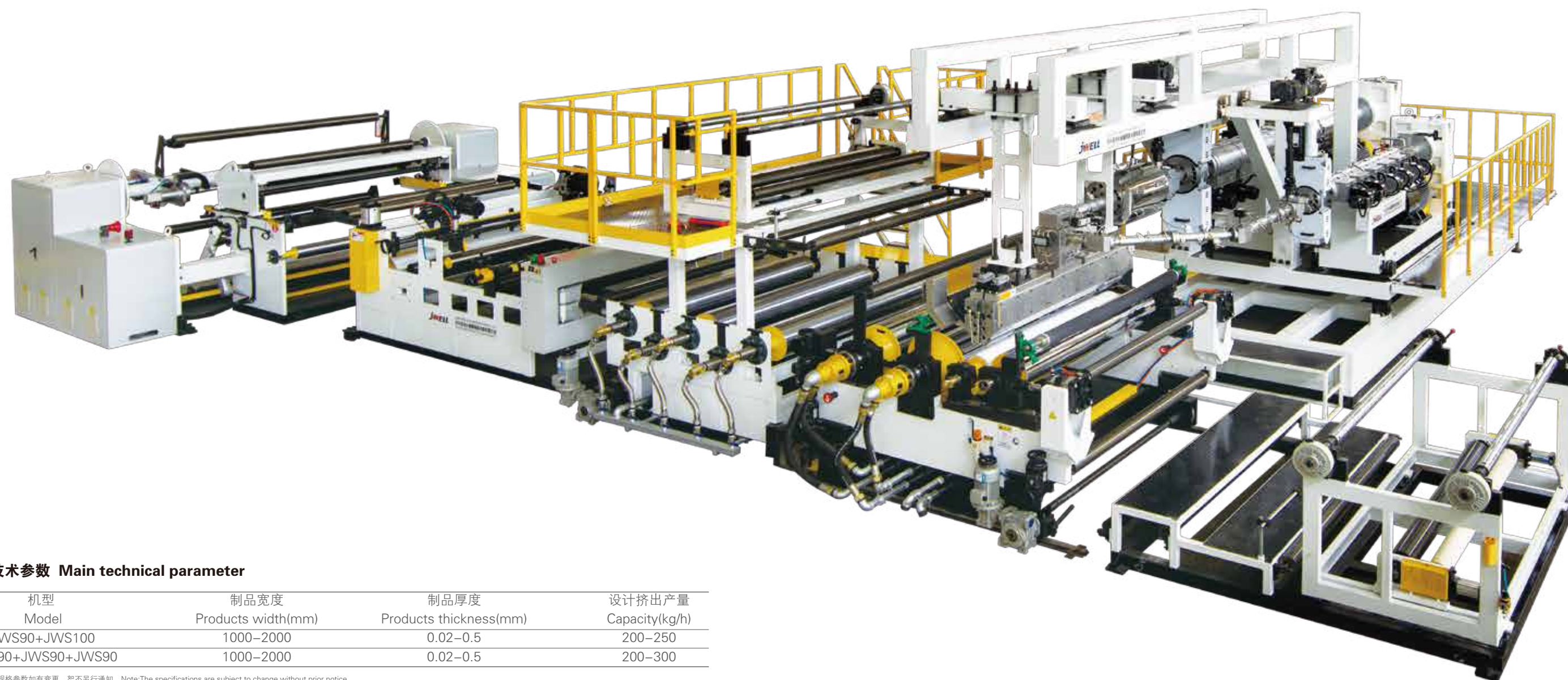
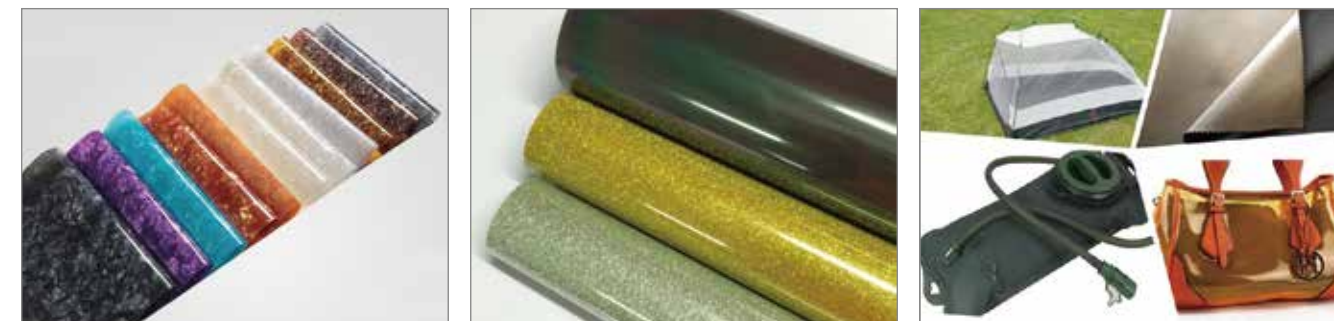
备注：以上规格参数如有变更，恕不另行通知。Note:The specifications are subject to change without prior notice.

TPU高低温薄膜/高弹膜生产线

TPU High-low Temperature/High-elastic Film Co-extrusion Line

生产线特点：通过2台或3台挤出机共挤的方式，将不同温度范围和硬度范围的TPU原料，一次性复合挤出成型。相比传统复合工艺，将高温、低温薄膜下线再复合，显得更经济、更环保、更高效。
 制品广泛应用于止水条、鞋材、服装、箱包、文具、体育用品等等。

Features: TPU raw materials with different temperature and hardness ranges are extruded by two or three extruders at one time. Compared with the traditional composite process, it is more economical, more environmentally friendly and more efficient to recombine high-temperature and low-temperature thin films offline.
 Products are widely used in water-proof strips, shoes, clothing, bags, stationery, sports goods and so on.



主要技术参数 Main technical parameter

| 机型 Model | 制品宽度 Products width(mm) | 制品厚度 Products thickness(mm) | 设计挤出产量 Capacity(kg/h) |
|-------------------|----------------------------|--------------------------------|--------------------------|
| JWS90+JWS100 | 1000-2000 | 0.02-0.5 | 200-250 |
| JWS90+JWS90+JWS90 | 1000-2000 | 0.02-0.5 | 200-300 |

备注：以上规格参数如有变更，恕不另行通知。Note:The specifications are subject to change without prior notice.

TPU隐形车衣膜生产线

TPU Invisible Car Clothing Production Line

TPU隐形车衣是一种高性能新型环保薄膜，被广泛应用于汽车美容保养行业，是透明漆面保护膜的一种俗称。具有超强的韧性，装贴后可使汽车漆面与空气隔绝，持久具有高光亮度，经过后续加工，车衣膜具有刮擦自修复性能，持久保护漆面。

本生产线采用特殊设计的专利流涎复合成型技术，针对TPU脂肪族材料特殊的挤出螺杆设计，配备全自动上下离型膜放卷装置，膜片厚度在线自动调节控制，全自动化收卷系统等行业先进的成熟技术，实现生产线的自动化稳定运行。

TPU invisible film is a new type of high-performance environmental protection film, which is widely used in automobile decoration maintenance industry. It is a common name of transparent paint protection film. It has strong toughness. After mounting, it can insulate the automobile paint surface from the air, and has high brightness for a long time. After subsequent processing, the car coating film has scratch self-healing performance, and can protect the paint surface for a long time.

This production line adopts special design patent tape casting composite molding technology, special extrusion screw design for TPU aliphatic materials, equipped with automatic up and down release film unwinding device, on-line automatic adjustment and control of film thickness, full-automatic winding system and other advanced mature technologies in the industry, so as to realize the automatic and stable operation of the production line.



主要技术参数 Main technical parameter

| 机型 Model | 制品宽度 Products width(mm) | 制品厚度 Products thickness(mm) | 设计挤出产量 Capacity(kg/h) |
|-------------|----------------------------|--------------------------------|--------------------------|
| JWS 90/32 | 1600 | 0.1-0.2 | 150-200 |
| JWS120/32 | 1600 | 0.1-0.2 | 200-300 |

备注：以上规格参数如有变更，恕不另行通知。Note:The specifications are subject to change without prior notice.

薄膜拉伸生产线 Stretch Film Extrusion Line

主要应用于生产PE锂电池隔膜；PP、PE卫材透气膜；PP、PE、PET、PS热收缩包装行业等单、双向拉伸薄膜领域。

设备的主要构成：挤出机、模具、铸片、纵向拉伸、横向拉伸、自动收卷和控制系统组成。依托我司先进的整体设计和加工制造能力，研制的拉伸生产线具有以下特点：

- 特殊设计的纵拉辊筒
- 动力传动及控制系统采用国际知名品牌
- 控制系统采用精密PLC程序控制
- 拉伸精度高、速度快、整个机组的运行稳定

我司可根据客户需求，定制设计各类高精度拉伸薄膜机组：

1-10倍拉伸倍率，产品宽度范围500-3000mm，厚度范围0.05-0.3mm。

Stretch film production line is mainly used for PE lithium electric film; PP, PE breathable film; PP, PE, PET, PS thermo-shrinkage packing industrial.

The equipment is composed by extruder, die head, sheet cast, longitudinal stretch, transverse stretching, automatic winder and controlling system. Relying on our advanced designing and processing ability, our equipment's features are:

- Special designed longitudinal stretch roller
- Driving and controlling system are from world famous brand
- Controlling system is from precision PLC program
- High stretch accuracy, high speed, and steady working status

We are able to design equipment as per customer's request with high accuracy stretch equipment:

1-10 stretching ratio, width range will be 500-3000mm, thickness range will be 0.05-0.3mm.



EVA/POE/PVB/SGP胶膜生产线

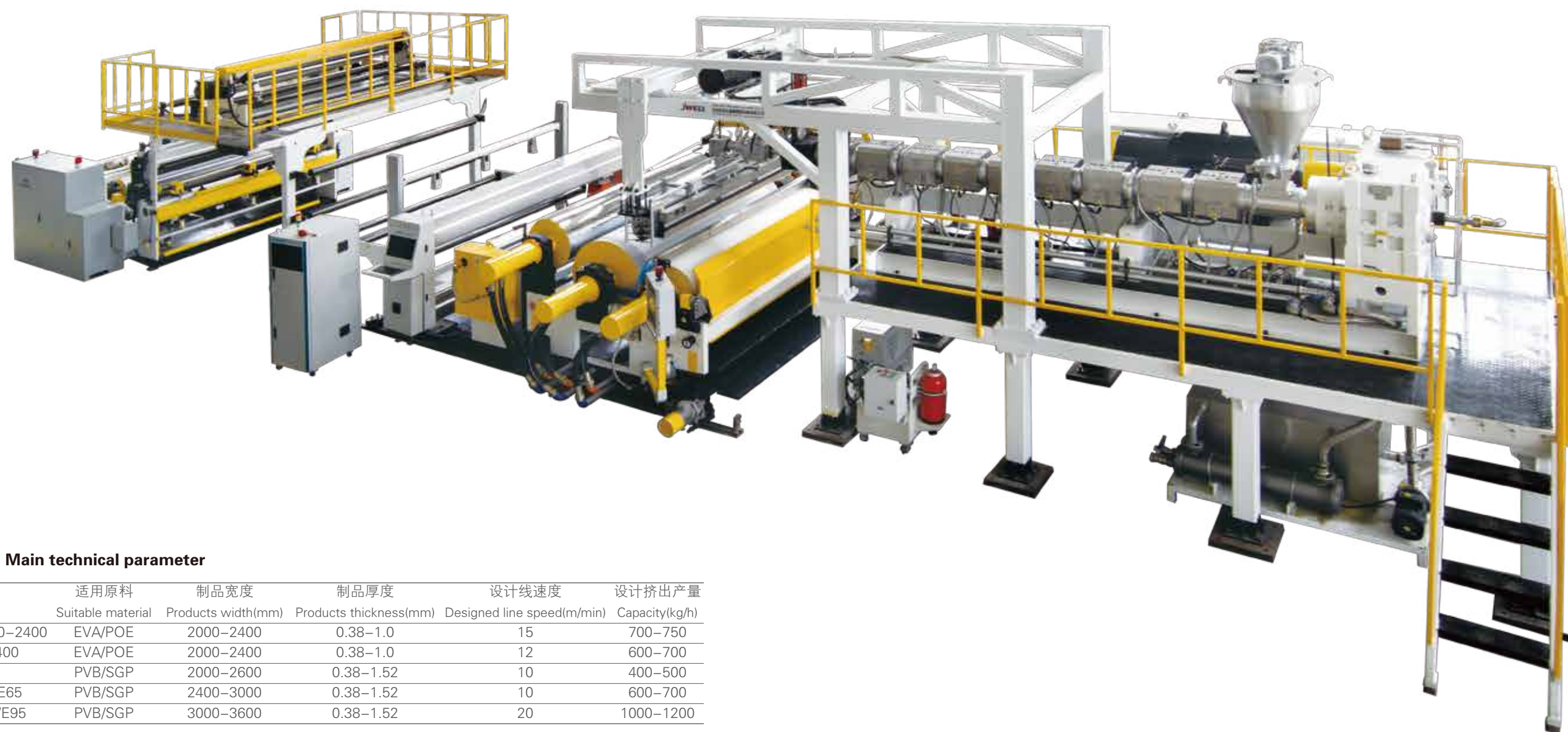
EVA/POE/PVB/SGP Film Extrusion Line

EVA/POE 胶膜: 用于太阳能光伏电站、建筑物玻璃幕墙、汽车玻璃、功能性棚膜、包装膜、热熔胶等各种行业。

EVA/POE film is used in solar photovoltaic power station, building glass curtain wall, automobile glass, functional shed film, packaging film, hot melt adhesive and other industries.

PVB/SGP胶膜: 广泛应用于建筑夹层玻璃，汽车夹层玻璃，防弹玻璃，隔音玻璃等。具有很好的安全性，防止玻璃由于外力作用下破碎而碎片溅起伤人；具有隔音性，防紫外线，可以做成彩色或高透明的薄膜。

PVB/SGP film: is widely used in building sandwich glass, car sandwich glass, bulletproof glass, soundproof glass etc. With good safety function and prevent glass from breaking due to the effect of external force and shards spatter injury; With sound insulation, anti-ultraviolet function, can be made of color or high transparent film.



主要技术参数 Main technical parameter

| 机型 Model | 适用原料 Suitable material | 制品宽度 Products width(mm) | 制品厚度 Products thickness(mm) | 设计线速度 Designed line speed(m/min) | 设计挤出产量 Capacity(kg/h) |
|---------------------|---------------------------|----------------------------|--------------------------------|-------------------------------------|--------------------------|
| JWS120/150/120-2400 | EVA/POE | 2000-2400 | 0.38-1.0 | 15 | 700-750 |
| JWS180-2400 | EVA/POE | 2000-2400 | 0.38-1.0 | 12 | 600-700 |
| JWS150 | PVB/SGP | 2000-2600 | 0.38-1.52 | 10 | 400-500 |
| JWE95-JWE65 | PVB/SGP | 2400-3000 | 0.38-1.52 | 10 | 600-700 |
| JWE135-JWE95 | PVB/SGP | 3000-3600 | 0.38-1.52 | 20 | 1000-1200 |

备注：以上规格参数如有变更，恕不另行通知。Note:The specifications are subject to change without prior notice.

PP蜂窝板生产线

PP Honeycomb Board Extrusion Line

产品主要用途/Main application:

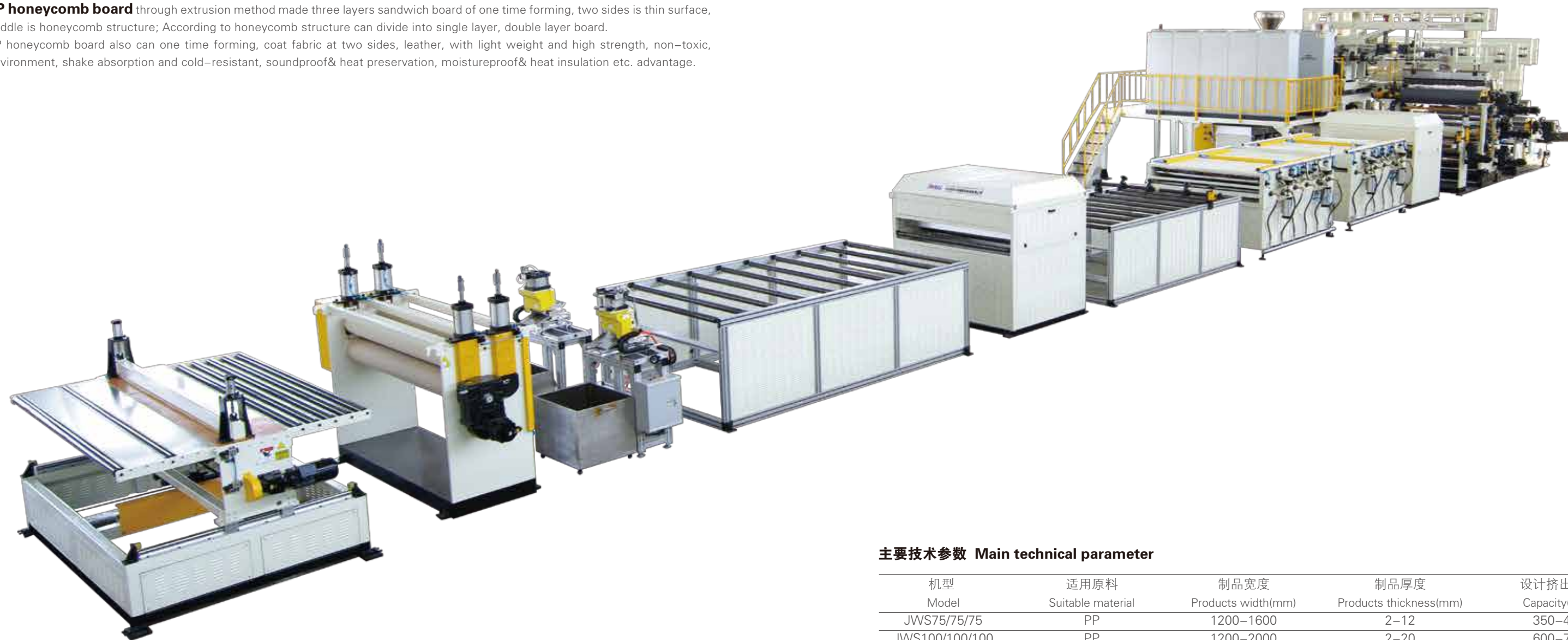
- 1.应用于乘用车的行李箱盖板、行李箱隔板、行李箱地毯基板、侧围装饰板、顶棚等内饰部位;
Used for car trunk cover board, trunk clapboard, trunk carpet substrate, side wall decoration board, ceiling etc. interior place.
- 2.应用于制作各种高强度包装箱。
Used for manufacturing different kinds of high strength packing box.

PP蜂窝板通过挤出法一次成型的三层夹心板材，两面为较薄的面层，中间为蜂窝状结构；根据蜂窝的结构可以分为单层板、双层板。

PP蜂窝板也可一次成型双面贴布、覆皮，具有轻质高刚、无毒环保减震耐寒、隔音保温、防潮隔热等优点。

PP honeycomb board through extrusion method made three layers sandwich board of one time forming, two sides is thin surface, middle is honeycomb structure; According to honeycomb structure can divide into single layer, double layer board.

PP honeycomb board also can one time forming, coat fabric at two sides, leather, with light weight and high strength, non-toxic, environment, shake absorption and cold-resistant, soundproof& heat preservation, moistureproof& heat insulation etc. advantage.



主要技术参数 Main technical parameter

| 机型 Model | 适用原料 Suitable material | 制品宽度 Products width(mm) | 制品厚度 Products thickness(mm) | 设计挤出产量 Capacity(kg/h) |
|----------------|---------------------------|----------------------------|--------------------------------|--------------------------|
| JWS75/75/75 | PP | 1200-1600 | 2-12 | 350-450 |
| JWS100/100/100 | PP | 1200-2000 | 2-20 | 600-700 |

备注：以上规格参数如有变更，恕不另行通知。Note:The specifications are subject to change without prior notice.

PC中空格子板/U型锁扣板生产线

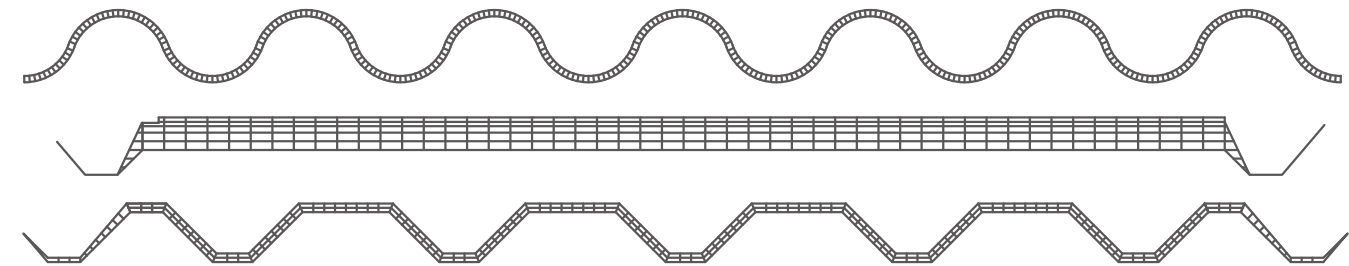
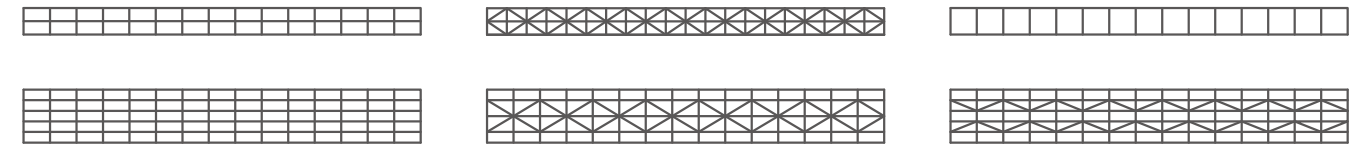
PC Hollow Sheet/U-shaped/U Locked Sheet Extrusion Line

PC中空格子板、U型锁扣板应用：

- 办公楼、大厅、商场、体育场馆、公用设施的采光顶
- 车站、停车场、凉亭、休息厅走廊的雨棚
- 高速公路及城市高架路隔音屏障

PC hollow sheet, U-shaped/U locked sheet extrusion line :

- Construction of sunroof in buildings ,halls, shopping center, stadium, public places of entertainment and public facility.
- Rain shield of bus stations ,garages, pergolas, corridors.
- Transparent shields for security forces in nursery schools airports, factories.



主要技术参数 Main technical parameter

| 挤出机规格 Model | 制品宽度 Products width(mm) | 制品厚度 Products thickness(mm) | 最大挤出产量 Designed capacity(kg/h) |
|----------------|----------------------------|--------------------------------|-----------------------------------|
| JWS100+JWS45 | 1220 | 4-40 | 350 |
| JWS120+JWS45 | 2100 | 4-40 | 450 |

备注：以上规格参数如有变更，恕不另行通知。Note:The specifications are subject to change without prior notice.

PP/PE中空格子板生产线

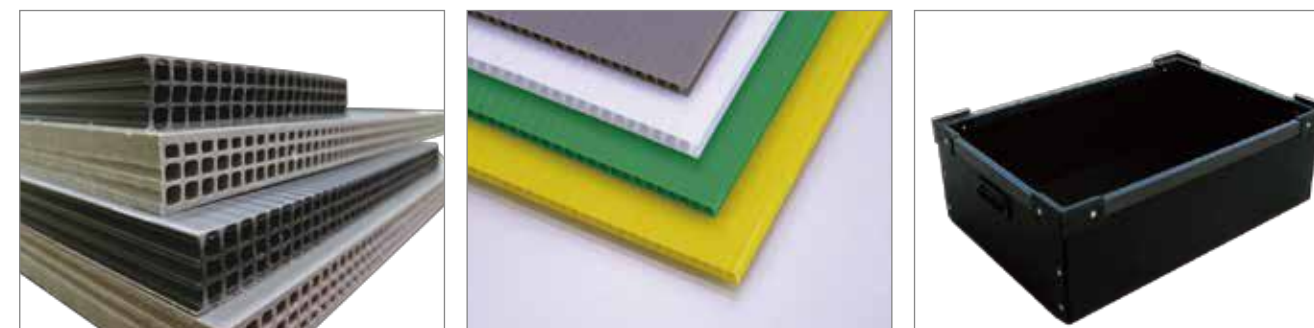
PP/PE Plastic Hollow Cross Section Plate Extrusion Line

PP格子板应用:

- PP中空格子板因具有材质轻，强度高，防潮。
- 良好的环保性能和二次加工性能，可加工成周转箱，包装箱等。

PP Hollow Plate Application:

- The pp hollow cross section plate is light and high strength, moistureproof good environmental protection and refabrication performance.
- Can be processed into the reusable container, packing case, clapboard, backing plate and culet.



主要技术参数 Main technical parameter

| 挤出机规格 Model | 制品宽度 Products width(mm) | 制品厚度 Products thickness(mm) | 最大挤出产量 Designed capacity(kg/h) |
|----------------|----------------------------|--------------------------------|-----------------------------------|
| JWS120 | 1200-2100 | 2-8 | 350 |
| JWS150 | 1200-2600 | 2-8 | 500 |
| JWS100+JWS65 | 915 | 12-16 | 400 |
| JWS150+JWS90 | 2000 | 12-16 | 600 |

备注: 以上规格参数如有变更, 恕不另行通知。Note: The specifications are subject to change without prior notice.

LFT/CFP/FRP/CFRT连续纤维增强复合材料生产线

LFT/CFP/FRP/CFRT Continuous Fiber Reinforced Composite Production Line

连续纤维增强复合材料是由增强纤维材料：玻璃纤维(GF)、碳纤维(CF)、芳纶纤维(AF)、超高分子量聚乙烯纤维(UHMW-PE)、玄武岩纤维(BF)等，通过特有工艺技术使得高强度的连续纤维与热塑性、热固性树脂相互间浸渍，再经过挤压、牵伸等工艺形成的高强度、高韧性、可回收的新型热塑性复合材料；常用的树脂基体有PET、ABS、PP、PC、PA、PPS、POM等环保型热塑性材料。

Continuous fiber reinforced composite material is made of reinforced fiber material: glass fiber(GF), carbon fiber(CF), aramid fiber(AF), ultra high molecular polyethylene fiber(UHMW-PE), basalt fiber(BF) by using special process technology to makes high strength continuous fiber and thermal plastic&thermosetting resin soak with each other. Then extrusion and drawing process are used to form the high strength, high toughness and recyclable thermalplastic resin composite material .commonly used plastic are PET, ABS, PP, PC, PA, PPS, POM and other environmentally friendly thermoplastic materials.

产品应用：军工、航天、船舶、汽车轻量化、电子、风电、建筑、医疗、体育休闲等领域。

Product application: Military, spaceflight, ships, automotive light weight, electronics, wind and electricity, construction, medical, sports and leisure and other fields.



主要技术参数 Main technical parameter

| 机型 Model | 制品宽度 Products width(mm) | 制品厚度 Products thickness(mm) | 最大速度 Max.speed(m/min) |
|-------------|----------------------------|--------------------------------|--------------------------|
| JWS-1800 | 1200-1600 | 0.1-0.8 | 12 |
| JWS-3000 | 2000-2500 | 0.1-0.8 | 12 |

备注：以上规格参数如有变更，恕不另行通知。Note:The specifications are subject to change without prior notice.

高速铝塑复合板生产线

High Speed Aluminum Plastic Composite Panel Extrusion Line

铝塑复合板简称铝塑板是由经过表面处理并涂装（用氟碳涂层或聚酯涂层）的铝箔作为表层、聚乙烯材料作为芯层，并通过热复合工艺生产而成的新型装饰材料；主要应用于建筑幕墙、外墙装饰与广告、室内装饰等。

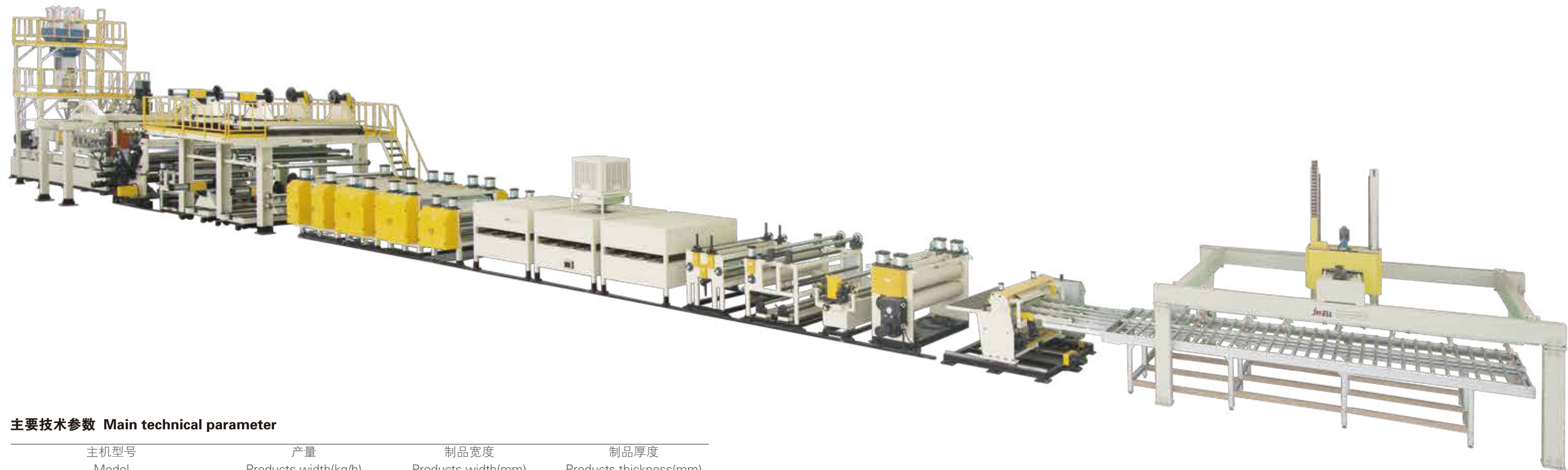
结合传统的生产工艺和实践经验，开发的高速铝塑板生产线，采用先进的挤出系统，可以生产高填充的阻燃级铝塑板，最高产量2500kg/h，最高生产线速度10m/min，可生产宽度900–2000mm，铝箔厚度0.18mm以上的产品。

同时本公司也提供传统的铝塑板生产线，最高产量500–800kg/h，最高线速度5m/min，可以生产宽度900–1560mm，铝箔厚度0.06–0.5mm的制品。

Aluminum plastic composite panel called ACP in short, composed by aluminum foil and polyethylene, adopting thermo coating technology to produce this new construction material. It is widely used for construction wall, outer door decoration as well as advertising and inner door decoration.

Combining traditional processing technology and practical experience, Suzhou JWELL machinery Co.,ltd develops high speed flame retardant grade ACP board. the maximum output can be 2500kg/h, line speed is 10m/min, width is 900–2000mm, aluminum foil thickness is more than 0.18mm.

Also, we are supplying normal ACP line with output range 500–800kg/h, maximum line speed 5m/min, suitable product width 900–1560mm, aluminum foil thickness 0.06–0.5mm.



主要技术参数 Main technical parameter

| 主机型号 Model | 产量 Products width(kg/h) | 制品宽度 Products width(mm) | 制品厚度 Products thickness(mm) |
|-----------------------------------|----------------------------|----------------------------|--------------------------------|
| JWE135/48 (Twin screw extruder) | 2000–2500 | 900–2000 | 2–6 |
| JWS170/35 (Single screw extruder) | 500–600 | 900–1220 | 1–6 |
| JWS180/35 (Single screw extruder) | 700–800 | 900–1560 | 1–6 |

备注：以上规格参数如有变更，恕不另行通知。Note:The specifications are subject to change without prior notice.

PET/PLA同向平行双螺杆生产线

PET/PLA Co-rotation Twin Screw Extrusion Line

PET/PLA环保片材生产线: 金纬推出的双螺杆免干燥排气型PET/PLA片材生产线具有低能耗、工艺简单，设备使用维护方便的特点。其特有的螺杆组合结构有效的减少了PET/PLA树脂的粘度降，对称式薄壁型辊筒提高了冷却效率同时提升了产能和片材品质，多组分喂料装置可合理的控制新料、回料、色母等的比例，所生产的片材可用于吸塑印刷包装等领域。

PET/PLA environmental sheet extrusion line: JWELL develops the parallel twin screw extrusion line for PET/PLA sheet, this line equipped with degassing system, and no need drying and crystallizing unit. The extrusion line has the properties of low energy consumption, simple production process and easy maintenance. The segmented screw structure can reduce the viscosity loss of PET/PLA resin, the symmetrical and thin-wall calender roller heighten the cooling effect and improve the capacity and sheet quality. Multi components dosing feeder can control the percentage of virgin material, recycling material and master batch precisely, the sheet is widely used for thermoforming packaging industry.



主要技术参数 Main technical parameter

| 机型 Model | 挤出机规格 Extruder model | 制品厚度 Products thickness(mm) | 主电机功率 Main motor power(kw) | 最大挤出产量 Max extrusion Capacity(kg/h) |
|---------------------|-------------------------|--------------------------------|-------------------------------|--|
| 共挤线 Multi layer | JWE75/40+JWE52/40-1000 | 0.15-1.5 | 132/15 | 500-600 |
| 单层线 Single layer | JWE75/40-1000 | 0.15-1.5 | 160 | 450-550 |
| 高效 Highly-efficient | JWE95/44+JWE65/44-1500 | 0.15-1.5 | 250/75 | 1000-1200 |

备注：以上规格参数如有变更，恕不另行通知。Note:The specifications are subject to change without prior notice.



APET/PETG单螺杆片材生产线

APET/PETG Single Screw Sheet Extrusion Line

APET、PETG单层及多层共挤片材生产线

是目前国内技术先进、工艺成熟、设备稳定的片材生产线之一，与国内同类设备相比，综合效能高30%以上，此生产线同时也可用于生产 APET、PETG、CPET 等片材制品。

APET, PETG single-layer or multi-layer sheet extrusion machine

It's one of the most advanced production lines with matured technology and stability in China. Compared with other same kind equipment, it's over 30% higher in overall efficiency. This line is suitable for APET, PETG, CPET as well.

PETG片材/PETG sheet

PETG俗称低温PET，产品具有高光泽、高透明、有优良的阻隔性、自粘性的新型环保包装材料。可用于胶水粘合、高周波加工。

PETG is called low temperature PET

It's a new environment-friendly packing material with features such as high luster, good transparency, excellent barrier property, self-adhesion, which is used for glue bonding and high-frequency processing.



PET立体光栅片 PET

广泛适用于化妆品、药品、烟酒包装及一般商品等三维防伪外包装以及文具、挂件、宣传广告、海报、各式卡片、吊卡等领域。

Stereoscopic optical grating sheet

It can be used as top grade package for cosmetics, medicine, tobacco & alcohol and common goods such as stationery, advertisements, posters and all kinds of cards.

PLA片材 PLA sheet

聚乳酸PLA是可降解树脂，可用于水果、蔬菜、鸡蛋、熟食和烘烤食品的硬包装，也可用于三明治、饼干和鲜花等商品的包装。PLA is a kind of line shape Aliphatic Polyesters. PLA can be used in rigid package of fruits, vegetables, eggs, cooked food and roast food, also can be used for packaging of sandwich, biscuit and some other packages like fresh flower.



主要技术参数 Main technical parameters

| 机型 Model | 共挤线 Multi layer | 单层线 Single layer | 高效 Highly-efficient |
|-------------------------------|-----------------|------------------|---------------------|
| 挤出机规格 Extruder specification | JW120/65-1000 | JW120-1000 | JW150-1500 |
| 制品厚度 Thickness of the product | 0.20-1.5mm | 0.2-1.5mm | 0.2-1.5mm |
| 主电机功率 Main motor power | 132kw/45kw | 132kw | 200kw |
| 最大挤出产量 Max extrusion capacity | 600-700kg/h | 550-650kg/h | 800-1000kg/h |

备注：以上规格参数如有变更，恕不另行通知。Note: The specifications are subject to change without prior notice.

PP/PS环保片材生产线

PP/PS Environmental Sheet Extrusion Line

研制开发的PP/PS片材生产线，用于生产多层复合环保片材，该片材主要用于吸塑成型各类食品容器和包装，如：托盘、面碗、饭盒、糕盒、水果盘等。该设备可有效的利用石粉比例，既降低片材原料成本，又提高片材的可降解性并保证片材的综合物理性能和后续可加工性能。

Developed by Jwell company, this line is for producing multi-layer environmental-friendly sheet, which is widely used for vacuum forming, green food container and package, different kinds of food packaging container, such as: salver, bowl, canteen, fruit dish, etc. Adopting maxim talc percentage in the sheet production, either customer will be able to reduce the cost of the sheet or increase the sheet degraation character as well as gaining good physical properties and further processing abilities.



主要技术参数 Main technical parameters

| 机型 Model | JWS150/120/90-1800 | JWS150/60-1200 | JWS130/60-1000 | JWS120-1000 | JWS100-800 |
|----------------|--------------------|----------------|----------------|-------------|-------------|
| 片材宽度 Width | 1500mm | 1000mm | 900mm | 800mm | 600mm |
| 片材厚度 Thickness | 0.3-2mm | 0.3-2mm | 0.3-2mm | 0.2-2mm | 0.1-0.8mm |
| 生产能力 Capacity | 1000-1200kg/h | 700-800kg/h | 550-600kg/h | 400-500kg/h | 300-350kg/h |

备注：以上规格参数如有变更，恕不另行通知。Note: The specifications are subject to change without prior notice.

PC/PMMA/GPPS/ABS塑料片板材生产线

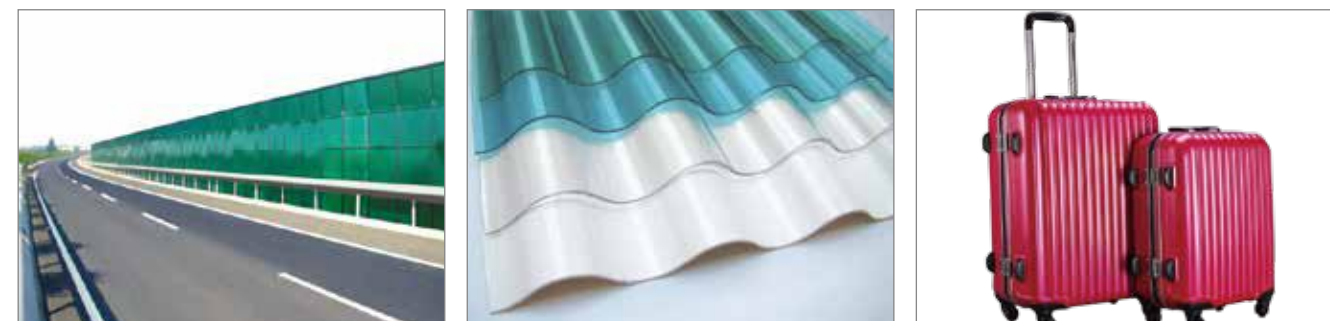
PC/PMMA/GPPS/ABS Plastic Sheet & Plate Extrusion Line

PC耐力板、波浪板:

适用范围：园林、游艺场所奇异装饰及休息场所的廊亭；商业建筑的内外装饰品，现代城市楼房的幕墙；航空透明集装箱、摩托车前风挡、飞机、火车、轮船、汽车、汽船、潜艇及玻璃军警盾牌；电话亭、广告路牌、灯箱广告展示展览的布置；高速公路及城市高架路隔音屏障。

Applicable scope of PC endurance board, PC corrugated sheet:

Garden, recreation place, decoration and the corridor pavilion; Internal and external ornaments in the commercial building, curtain wall of the modern urban building; transparent container of aviation, the windscreen before the motorcycle, the plane, the train, the steamer, the submarine, army and police's shield, the telephone booth, advertising signpost, the advertisement of the lamp houses, the expressway and overhead way of the city partition protective screen.



ABS、HIPS/GPPS冰箱板 Refrigerator board

主要用于冰箱冰柜门胆、内胆、抽屉、接水盘、饮水机等。

It has wide application in production of refrigerator door and inner gallbladder, drawers, water dispensers, etc.

ABS/PMMA复合洁具板 Sanitaryware plate

用于卫浴产品如：浴缸、淋浴房、蒸汽房、洗脸槽。

It is widely applied in the field of bath products, such as the bathtub, the shower cabinet, the vapor room, washing bowl, etc.

ABS/PC复合箱包板 Baggage plate

主要用于各种拉杆箱、行李箱、休闲包等箱包。

It is mainly applied in field of draw-bar boxes, luggage cases, recreation bags, etc.

ABS、ABS + PC合金料汽车板 Car plate

主要用途：汽车车顶、仪表板；座椅靠板、车门板、窗框；摩托车、沙滩车、代步车、高尔夫球车等外壳。

It is mainly used in to produce tops of cars and buses, instrument boards, backrest, car doors, window frames, shells of the motorcycles, golf vehicles, etc.

主要技术参数 Main technical parameter

| 型号 Model | JWS130/38-2200 | JWS120/38-1400 |
|------------------------------|---------------------|---------------------|
| 适用原料 Material | PC, PMMA, GPPS, ABS | PC, PMMA, GPPS, ABS |
| 制品宽度 Products Width | 2200mm | 1400mm |
| 制品厚度 Products Thickness | 1.5-10mm | 1.5-10mm |
| 挤出机规格 Extruder Specification | Ø130/38; Ø45/30 | Ø120/38 |
| 最大挤出产量 Capacity (Max.) | 550Kg/h | 450Kg/h |

备注：以上规格参数如有变更，恕不另行通知。Note:The specifications are subject to change without prior notice.

PC/PMMA光学片材生产线

PC/PMMA Optical Sheet Extrusion Line

PC/PMMA光学片材生产线为了满足市场的需要，苏州金纬凭借先进的工艺技术及装备向用户提供了光学级片材生产线。根据原料的流变性设计的专用螺杆和精密的计量泵系统和模具保证了熔体的均匀稳定和片材优异的光学性能；精密的压光系统给片材的机械物理性能提供了保障。产品主要应用于汽车工业；电子、电器工业的薄膜开关；电脑、手机、商务通的液晶显示屏；太阳镜、太阳帽、镀膜、防护面罩；特种印刷；医药包装等领域。

PC/PMMA Optical Sheet Extrusion Line To meet the demands of market, Suzhou JWELL supply customer PC PMMA optical sheet extrusion lines with advanced technology, the screws are specially designed according to the rheological property of raw material, precise melt pump system and T-die, which makes the extrusion melt is even and stable and the sheet has excellent optical performance. Precise calender system guarantees the mechanical & physical properties of sheets. It is mainly used in automotive industry, film switch of electronics, LCD for computer, mobile, sunglass, helmet, special printing, medicine packing and so on areas.



主要技术参数 Main technical parameter

| 机型 Model | 挤出机规格 Extruder model | 制品宽度 Products width(mm) | 制品厚度 Products thickness(mm) | 设计挤出产量 Capacity(kg/h) |
|-------------|-------------------------|----------------------------|--------------------------------|--------------------------|
| JWS100-1300 | JWS100/38 | 1000 | 0.125-1.2 | 250 |
| JWS120-1500 | JWS120/38 | 1200 | 0.175-2 | 450 |

备注：以上规格参数如有变更，恕不另行通知。Note: The specifications are subject to change without prior notice.

PP/PE/ABS/PVC厚板生产线

PP/PE/ABS/PVC Thick Plate Extrusion Line

PP厚板生产线 PP thick plate extrusion line

PP厚板，可广泛用于化学工业、食品行业、防腐行业、净化行业、环保设备生产行业。
2000mm宽PP厚板生产线是金纬新开发的领先于同行的稳定的生产线。

PP thick plate, is an environmentally-friendly product and is widely applied in chemistry industry, food industry, anti-erosion industry, environmentally-friendly equipments industry, etc.

PP thick plate extrusion line of 2000mm width is a newly developed line which is the most advanced and stable line compared with other competitors.

PE厚板生产线 PE thick plate extrusion line

聚乙烯（PE）板材广泛应用于化工、电力等工业上。HDPE板还可作为工程塑料应用在机械、化工等设备上，广泛用于制造冰球场墙板。

PE plate is widely applied in chemical and electric power industries. HDPE plate, known as engineering plastics, is used in mechanical and chemical equipments as well as ice hockey ring walls.

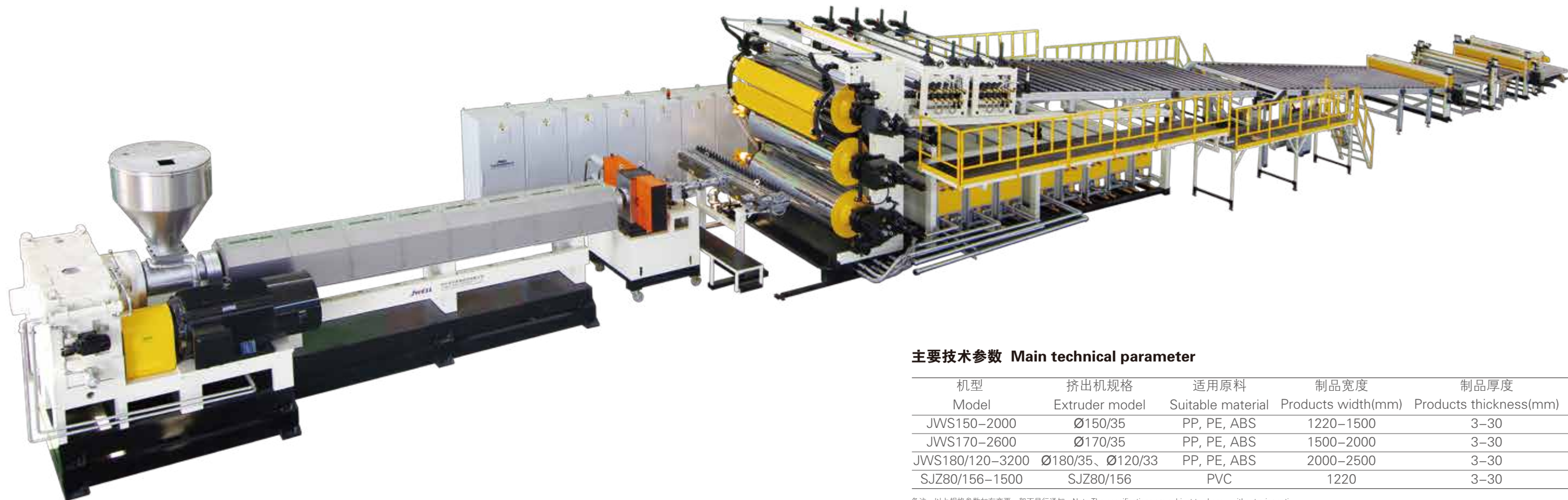
ABS厚板生产线 ABS thick plate extrusion line

ABS厚板广泛应用于家电、电子、包装、医疗器械等领域。
ABS thick plate is widely used in the home appliance, electronics, packaging, medical appliance.

PVC厚板生产线 PVC thick plate extrusion line

硬质PVC厚板广泛用于化工、石油、电镀、水净化处理设备、环保设备、矿山、医药电子、通讯、防腐蚀容器、设备电气的护罩，灯箱，广告装潢等行业。

Rigid PVC thick plate is widely used in chemical industry, petrol, electroplating, water purifying equipments, environment-friendly equipments, lamp house and advertisements, etc.



主要技术参数 Main technical parameter

| 机型 Model | 挤出机规格 Extruder model | 适用原料 Suitable material | 制品宽度 Products width(mm) | 制品厚度 Products thickness(mm) | 设计挤出产量 Capacity(kg/h) |
|-----------------|-------------------------|---------------------------|----------------------------|--------------------------------|--------------------------|
| JWS150-2000 | Ø150/35 | PP, PE, ABS | 1220-1500 | 3-30 | 500 |
| JWS170-2600 | Ø170/35 | PP, PE, ABS | 1500-2000 | 3-30 | 700 |
| JWS180/120-3200 | Ø180/35、Ø120/33 | PP, PE, ABS | 2000-2500 | 3-30 | 1200 |
| SJZ80/156-1500 | SJZ80/156 | PVC | 1220 | 3-30 | 450 |

备注：以上规格参数如有变更，恕不另行通知。Note:The specifications are subject to change without prior notice.

PVC透明硬片/PVC装饰片生产线

PVC Transparent Sheet and Rigid Sheet Extrusion Line

PVC挤出透明硬片生产线

PVC挤出透明片材具有阻燃自熄、质优价廉、透明度高、表面光泽好、晶点少、水纹小、耐冲击性强且易于成型等特点，广泛应用于各类工具、玩具、电子、食品、医药、服装等行业的吸塑、折盒、包装等。

PVC transparent rigid sheet extrusion line

PVC transparent sheet have many advantages of fire-resistance, high quality, low cost, high transparent, good surface, no spot, less water wave, high strike resistance, easy to mould and etc. It is applied to different kinds of packing, vacuuming and case, such as tools, toys, electrics, food, medicine and clothes.

PVC装饰片生产线

PVC装饰片主要用于酒店、餐馆、办公室、厨房灯地方的内外墙装饰。

PVC decoration plate line:

Product application: For decoration in hotel, restaurant, office, inner wall of villa, kitchen, toilet and it can be used or outside wall decoration, ceiling, table cloth, flooring and etc.



主要技术参数 Main technical parameter

| 机型 Model | 挤出机规格 Extruder model | 制品宽度 Products width(mm) | 制品厚度 Products thickness(mm) | 主电机功率 Main motor power(kw) | 设计挤出产量 Designed extrusion output(kg/h) |
|----------------|-------------------------|----------------------------|--------------------------------|-------------------------------|---|
| SJZ80/156-1500 | SJZ80/156 | 1220 | 0.2-3.0 | 75 | 350 |
| SJZ92/188-2200 | SJZ92/188 | 2000 | 1.0-3.0 | 110 | 550 |

备注：以上规格参数如有变更，恕不另行通知。Note: The specifications are subject to change without prior notice.



PVC半结皮(木塑)发泡板/共挤发泡板生产线

PVC Semi-Skinning(WPC) Foam Board/Co-Extrusion Foam Board

PVC发泡板又称为雪弗板和安迪板，其化学成分是聚氯乙烯，所以也称为泡沫聚氯乙烯板。

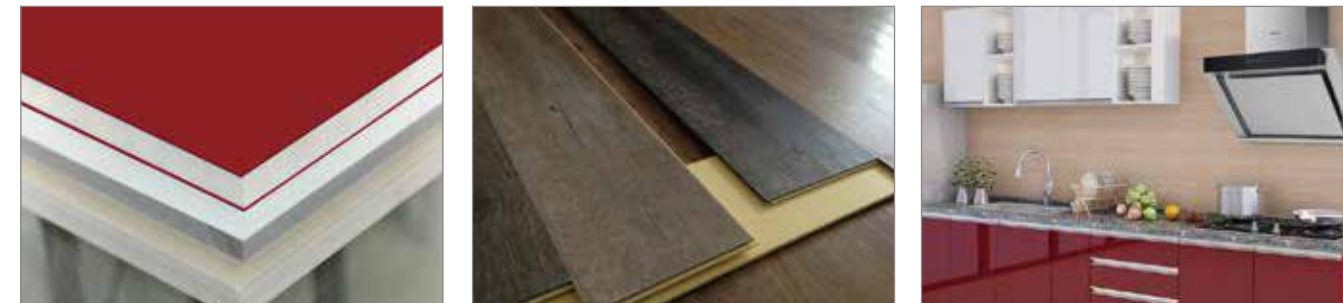
PVC半结皮发泡生产工艺是结合自由发泡工艺和结皮发泡工艺研发的新型工艺，具有设备工装简洁、配方简便、工艺操作难度小等特点。

PVC foam board also named Snow board and Andy board, the chemical component is polyvinyl chloride, also can be named foam polyvinyl chloride board.

PVC Semi-Skinning foam manufacturing technique is combine free foam technique and semi-skinning foam to develop new technology, this equipment have advanced structure, simple formulation, easy operation etc. features.

PVC半结皮发泡板的特点/ The feature of PVC Semi-Skinning foam board

- 1.防水、阻燃、耐酸碱、防蛀、质轻、保温、隔音、减震的特性
1. Waterproof, anti-flame, anti-acid & alkali, anti-moth, light weight, heat preservation, sound insulation, shock absorption.
- 2.和木材同等加工，且加工性能远远优于木材
2. The process same with wood, but manufacturing performance is much better than wood.



主要技术参数 Main technical parameter

| 机型 Model | 挤出机规格 Extruder model | 制品宽度 Products width(mm) | 制品厚度 Products thickness(mm) | 主电机功率 Main motor power(kw) | 最大挤出产量 Max. Capacity(kg/h) |
|-------------|-------------------------|----------------------------|--------------------------------|-------------------------------|-------------------------------|
| 半结皮发泡 | SJZ80/156 | 1220 | 5-20 | 75 | 400 |
| | SJZ92/188 | 1560 | 8-18 | 132 | 550 |
| | SJZ92/188 | 2050 | 8-15 | 132 | 550 |
| 共挤发泡 | SJZ80/156+SJZ65/132 | 1220 | 5-20 | 75+37 | 500 |

备注：以上规格参数如有变更，恕不另行通知。Note: The specifications are subject to change without prior notice.



挤出机械物联网+智能制造解决方案

工业4.0时代的互联—CPS（信息物理系统cyber physical systems），不是简单的对互联网、物联网、传感网的替代，它是信息世界和物理世界的深度融合。

未来挤出装备不再是一个孤立的自动化、信息化孤岛，未来的挤出机工厂会通过云平台与整个供需体系形成灵活智能的产品制造网络。工业4.0背景下的智能注塑发展趋势，多品种小批量快周期的定制化生产；多种生产技术和工艺的高度集成化；少人或无人状态下的自主生产过程；从原料到成品整个过程的信息化管理……

The interconnected in the industrial 4.0-CPS (cyber physical systems) is not a simple alternative to the Internet, the Internet of things, and the sensing network. It is a deep integration of the information and the physical.

The future extrusion equipment is no longer an isolated automation and information island. The future extruder factory will form a flexible and intelligent product manufacturing network through the cloud platform and the whole supply and demand system. In the industrial 4.0 background, the development trend of intelligent extrusion, customized production of multi variety and small batch fast cycle; High integration of various production techniques and processes; autonomous production process under less people or unmanned state; information management from the whole process of raw material to finished product...

在朝着工业4.0发展的过程中，我们的设备更智能化了！金纬机械智能化生产线：

- 1.可以监测主机电流。
- 2.可以监测主机温度。
- 3.可以监测主机电能。
- 4.可以监测主机每吨物料能耗（目前仅支持有米重控制的设备）。
- 5.可以在手机上查看数据信息。
- 6.可以记录并统计设备故障，部件更换等信息。
- 7.可以连接MES系统。
- 8.可以远程调试程序。

In the process of industrial 4.0, our equipment is more intelligent! Intelligent production line of Jwell:

1. can monitor the current of the extruder.
2. can monitor the temperature of the extruder.
3. can monitor the power of the extruder.
- 4., the energy consumption per ton of material can be monitored. (At present, only equipment with rice weight control is supported)
5. you can view the data on the phone.
6. records and statistics of equipment failure, parts replacement and other information can be recorded and counted.
7. can connect the MES system.
8. the program can be debugged remotely.



实时工况
Real-time operating status



作业情况统计
Working status statistics

Plastic Machinery Fully Integrated Automation + Internet Of Things Control System Solutions

基于MES系统平台，实现车间生产管理的信息沟通平台，并向智能化方向发展。

Based on the MES system platform, the information communication platform of workshop production management is realized and move toward the intelligent direction



企业风采: 品质管理 技术研发 国际交流 客户服务 员工培训

Quality Control Technology Research International Communication Customer Service Staff Training



| | | | |
|------------------------------------|--|-------------------------|-----------------------------------|
| <p>24小时服务 24 Hours Service</p> | <p>86-512 53377158 客户服务热线 Customer Service Hotline</p> | <p>培 训 Training</p> | <p>交钥匙工程 Turn-Key Project</p> |
|------------------------------------|--|-------------------------|-----------------------------------|